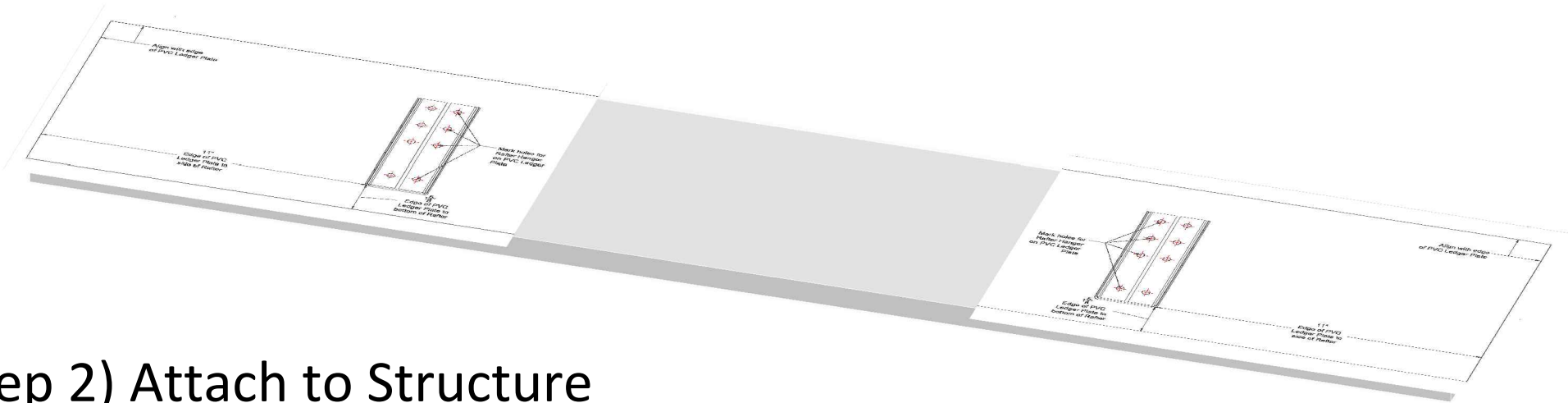
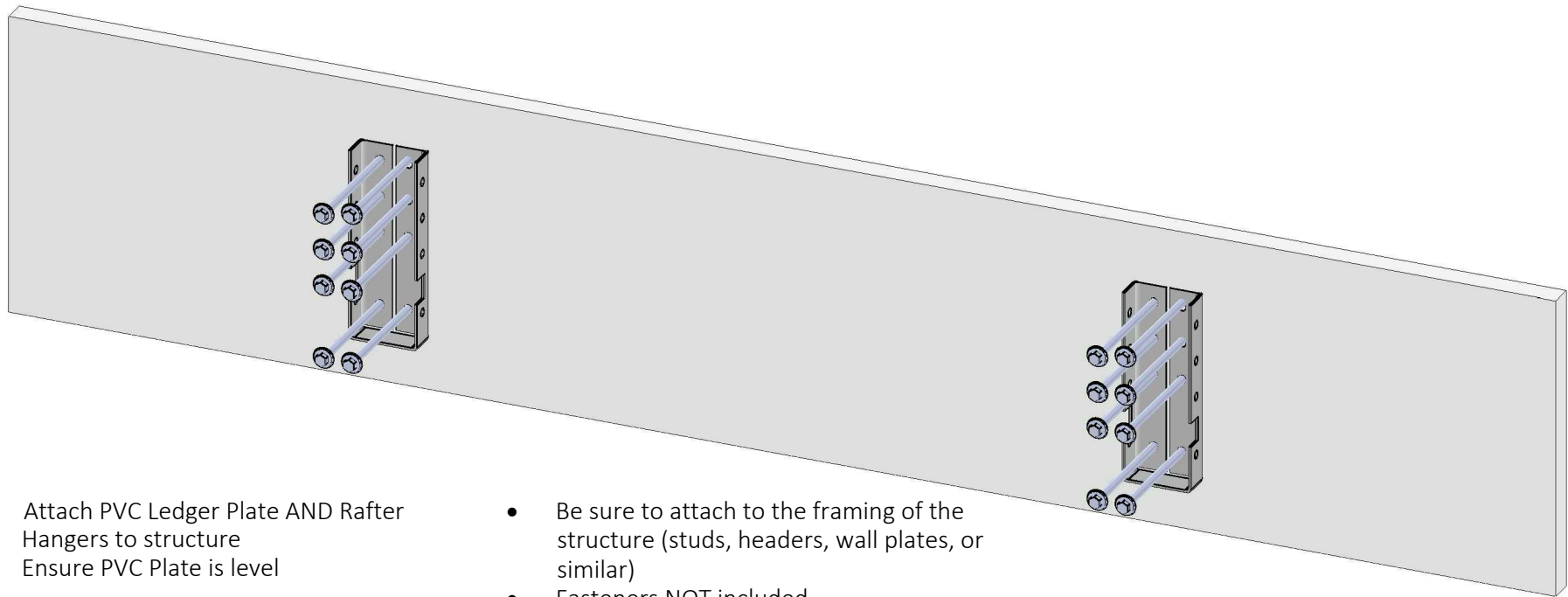


Step 1) Layout

- Mark holes for Rafter Hanger on the PVC Ledger Plate
- Use templates provided



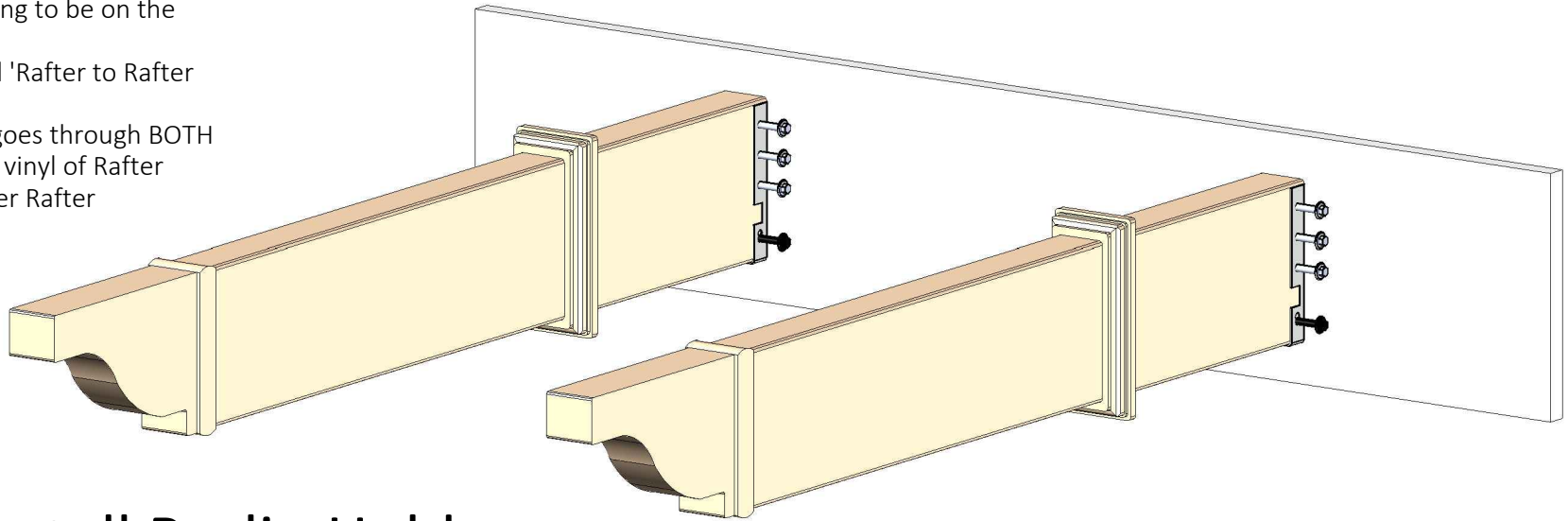
Step 2) Attach to Structure



- Attach PVC Ledger Plate AND Rafter Hangers to structure
- Ensure PVC Plate is level
- Be sure to attach to the framing of the structure (studs, headers, wall plates, or similar)
- Fasteners NOT included

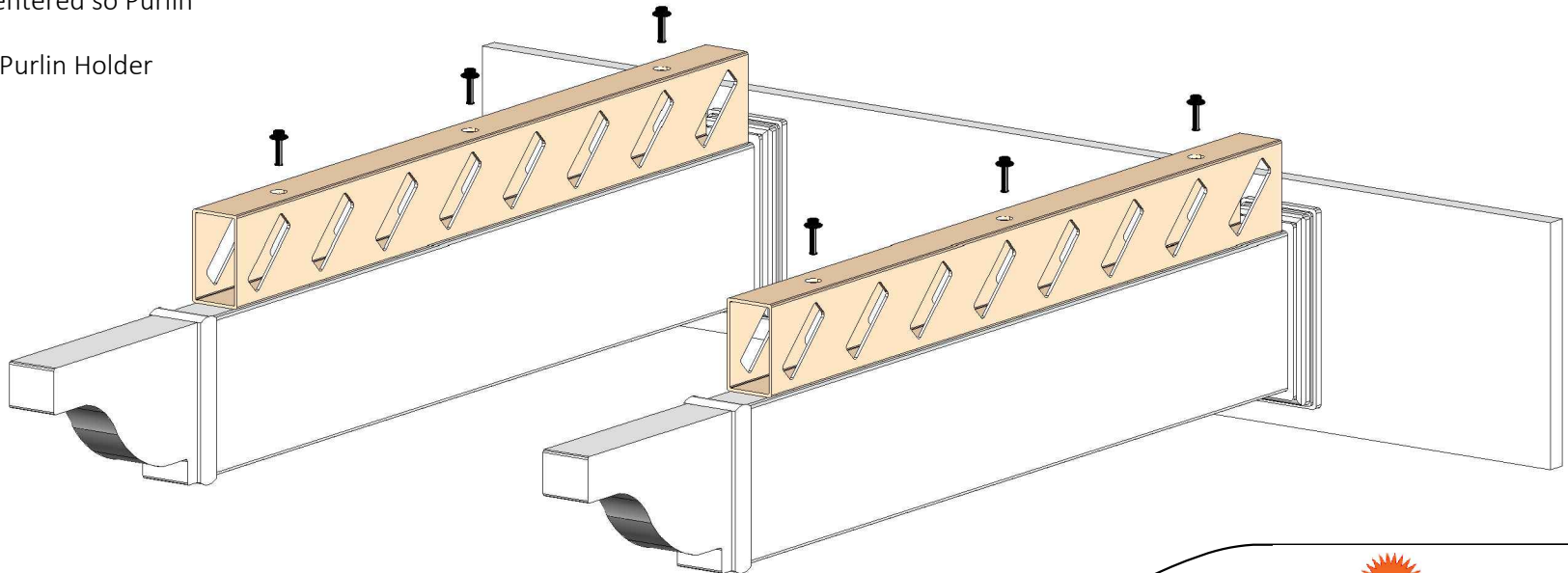
Step 3) Install Rafters

- Tabs on trim ring to be on the bottom.
- Screws labeled 'Rafter to Rafter Hanger'
- Ensure screw goes through BOTH aluminum and vinyl of Rafter
- Eight screws per Rafter



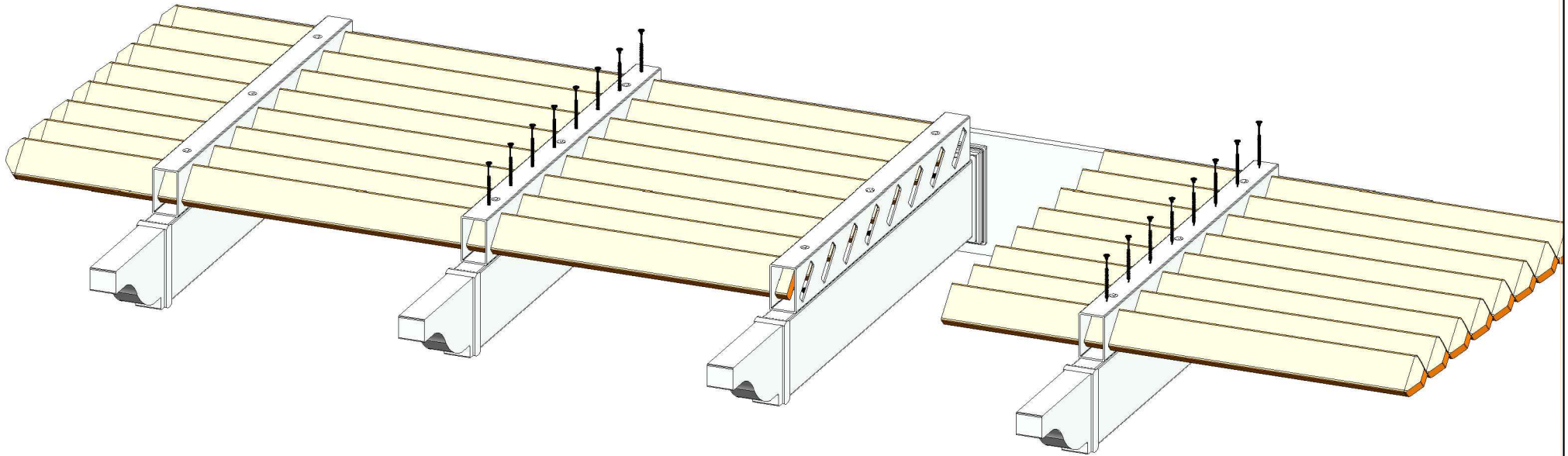
Step 4) Install Purlin Holders

- $\frac{5}{8}$ " Holes to point up
- Ensure they are centered so Purlin Splice will line up.
- Three screws per Purlin Holder



Step 5) Install Purlins

- Purlin Splice to be centered INSIDE of a Purlin Holder.
- Five foot and three foot purlins go on the outside. Four foot purlins to go in the middle
- Requires one screw per purlin.



Step 6) Caps and Plugs

- 2" x 6" Rafter caps require a small amount of glue
- 2 ½" x 3" Purlin Holder caps require a small amount of glue.
- 7/8" x 3" Purlin caps have locking tabs and do not require glue.
- 5/8" Plugs on top of Purlin Holder do not require glue.

Eyebrow Pergola Installation:

Tools/Hardware for Assembly:

- Drill
- 3/8" Magnetic Driver
- 6" Drill Extension
- Phillips Bit
- Level
- Tape Measure
- Fasteners and accommodating driver to mount rafters to structure

Step 1) Layout/Prep

- Use template provided to mark screw locations on the PVC Ledger Plate.
 - There are to be two rafter hangers per 4' Ledger Plate.
- Decide on the location for install ensuring you can fasten into something structural.
 - If you are unsure how to get into the structure components of the home, you need to consult a professional.
- These fasteners are NOT provided with kit.
 - Use appropriate heavy shank screws or similar.

Step 2) Attach PVC Ledger Plate and Rafter Hangers to Structure

- Secure all PVC Ledger boards to structure, ensure they are all level.
- Use eight screws per Rafter Hanger.
 - This yields 16 screws per four-foot piece of PVC Ledger Plate.

Step 3) Install Rafters

- Slide trim ring over rafter prior to attachment, tabs to be on the bottom.
- Be sure aluminum support is all the way back. Screw needs to go through both the aluminum and vinyl.
- Screw through Rafter Hanger into both aluminum and vinyl of Rafter.
- Use eight screws per Rafter to secure, fasteners labeled 'Rafter to Rafter Hanger'.
- After all screws are in, slide trim ring back to cover up the hardware and screws.

Step 4) Install Purlin Holders

- 5/8" holes are predrilled in the Purlin Holder, holes are to face up.
- Ensure all purlin holders are centered on rafters so that purlins will line up.
- Screw through bottom of Purlin holder into the top of the Rafter.
- Use three screws per Purlin Holder to secure, fasteners labeled 'Purlin Holder to Rafter'.
 - Often need a drill extension during this step.
 - Recommend you angle the top of the purlin toward the structure to maximize shade.

Step 5) Install Purlins

- Purlins come in 5', 4', and 3' lengths.
- 5' and 3' lengths to go on the ends. Middle to be filled with as many 4' pieces as necessary.
 - See CAD drawing for your kit size for further details.
- The rafters are spaced so the purlin splices will land inside a purlin holder.
- Slide Purlins through the Purlin Holders
- Use one screw per purlin to secure, fasteners labeled 'Purlin to Purlin Holder'.

Step 5) Caps and Plugs

- 2x6 pergola caps on the Rafters to be glued on, a small dab is enough.
- 2" x 3 1/2" flat caps on the Purlin Holders to be glued on, a small dab is enough.

- 7/8" x 3" dog eared caps on the Purlins have clips and do not need glue.
- 5/8" plugs for top of the Purlin Holders do not need glue.
- Use Mr. Clean magic eraser to clean off any marks that may have come about from installation process.

Custom Widths and Depths

- Everything is trimmable to fit *your* space.
- To be cut with a miter or circular saw. Use the correct blade for the material you are cutting, ie aluminum or vinyl.

Custom Width

- Cut PVC Ledger plate and purlins to achieve desired width.
- Respace rafters as needed to accommodate new width. Be sure rafter spacing will allow for the purlin splice to fall INSIDE of a purlin holder.

Custom Depth

- Cut Rafters and Purlin Holders to achieve desired depth.
- When shortening the purlin holder be sure cut is centered between purlins. This leaves a clean finish on the purlin holder.
- Will need to drill new 5/8" holes on the top of the purlin holder to securely fasten Purlin Holders to the Rafters.