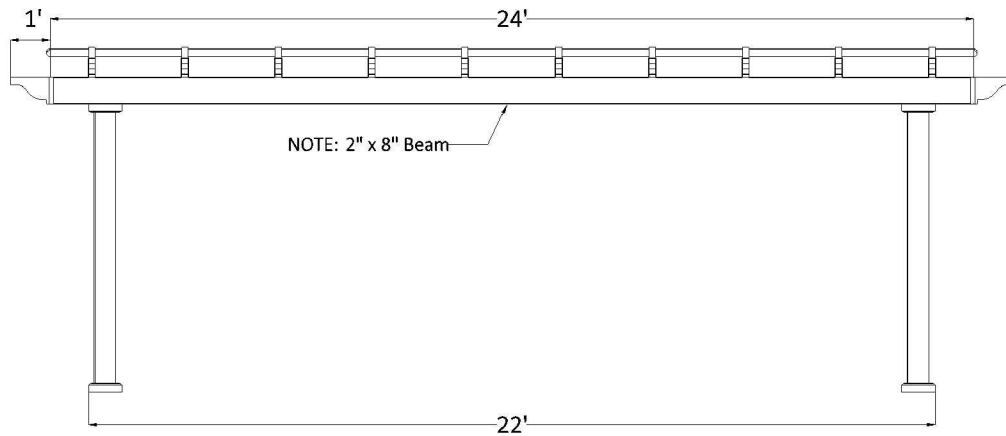
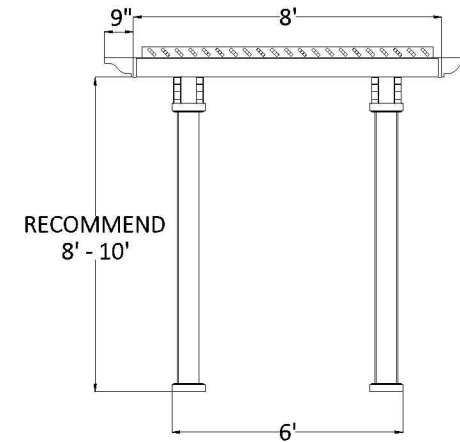


FRONT ELEVATION



SIDE ELEVATION



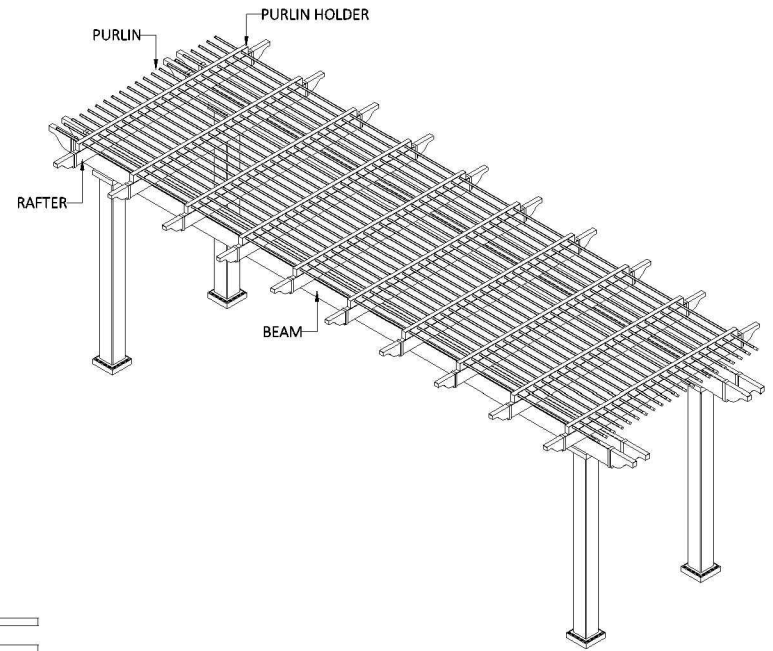
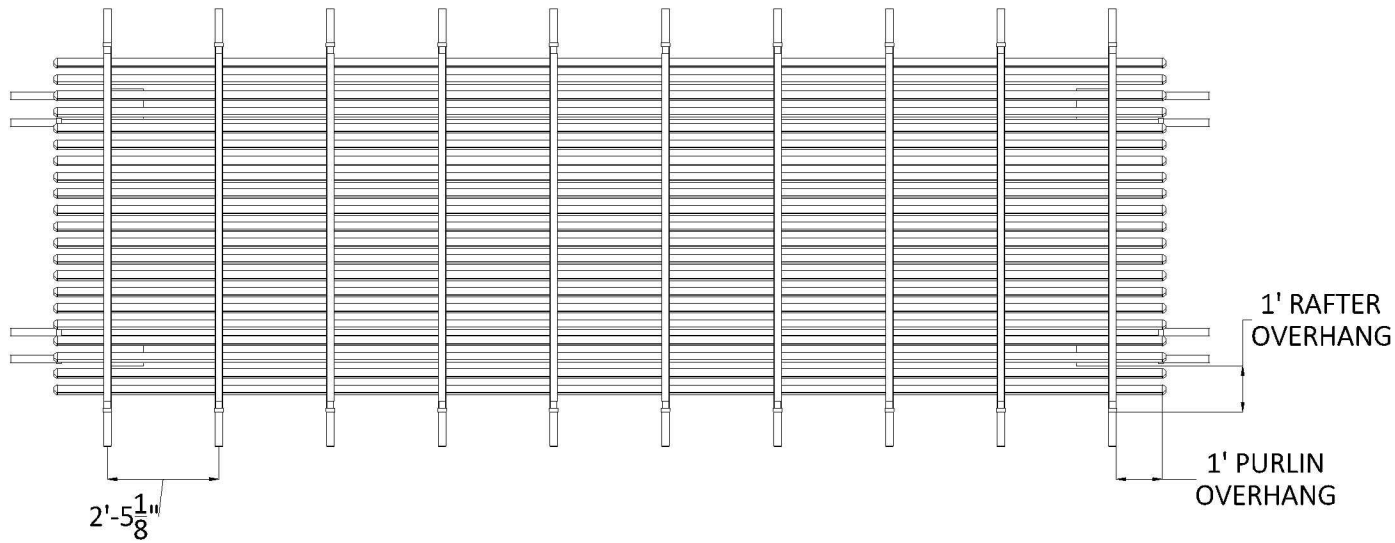
POST ON CENTER MEASUREMENT

POST STYLE	INCHES
5" Square Post (7" base)	259
7" Square Column (10 1/2" base)	253 1/2
7" Round Column (10 1/2" base)	253 1/2
10" Round Column (12 1/4" base)	251 3/4

POST ON CENTER MEASUREMENT

POST STYLE	INCHES
5" Square Post (7" base)	67
7" Square Column (10 1/2" base)	61 1/2
7" Round Column (10 1/2" base)	61 1/2
10" Round Column (12 1/4" base)	59 3/4

PLAN VIEW



KIT COMPONENTS

DESCRIPTION	QUANTITY
Your Selected Post with Aluminum Insert	4
2 X 8 Beam with Aluminum Insert	4
2 X 6 Rafter with Aluminum Insert	10
Pergola Cap	28
2 X $3\frac{1}{2}$ Purlin Holder	10
2 X $3\frac{1}{2}$ Flat Cap	20
$\frac{7}{8}$ X 3 Purlin (75% Shade)	22
$\frac{7}{8}$ X 3 Purlin Cap	44

8' x 24' FREESTANDING PERGOLA

Heartlandpergolas.com

563-345-6745

Heartland
Pergolas