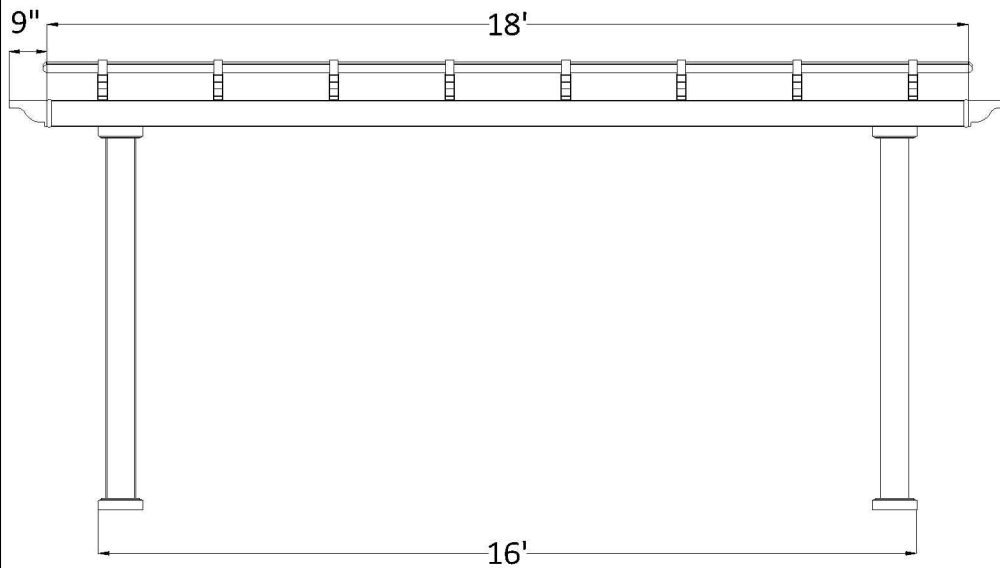


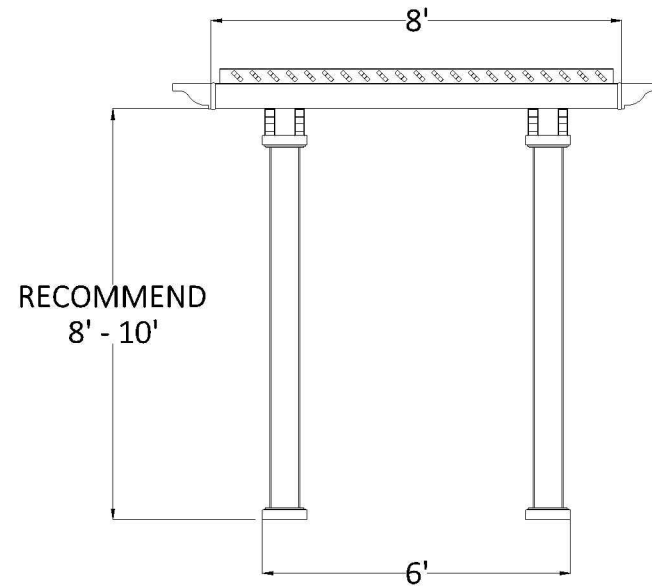
# FRONT ELEVATION



POST ON CENTER MEASUREMENT

| POST STYLE                      | INCHES  |
|---------------------------------|---------|
| 5" Square Post (7" base)        | 187     |
| 7" Square Column (10 1/2" base) | 181 1/2 |
| 7" Round Column (10 1/2" base)  | 181 1/2 |
| 10" Round Column (12 1/4" base) | 179 3/4 |

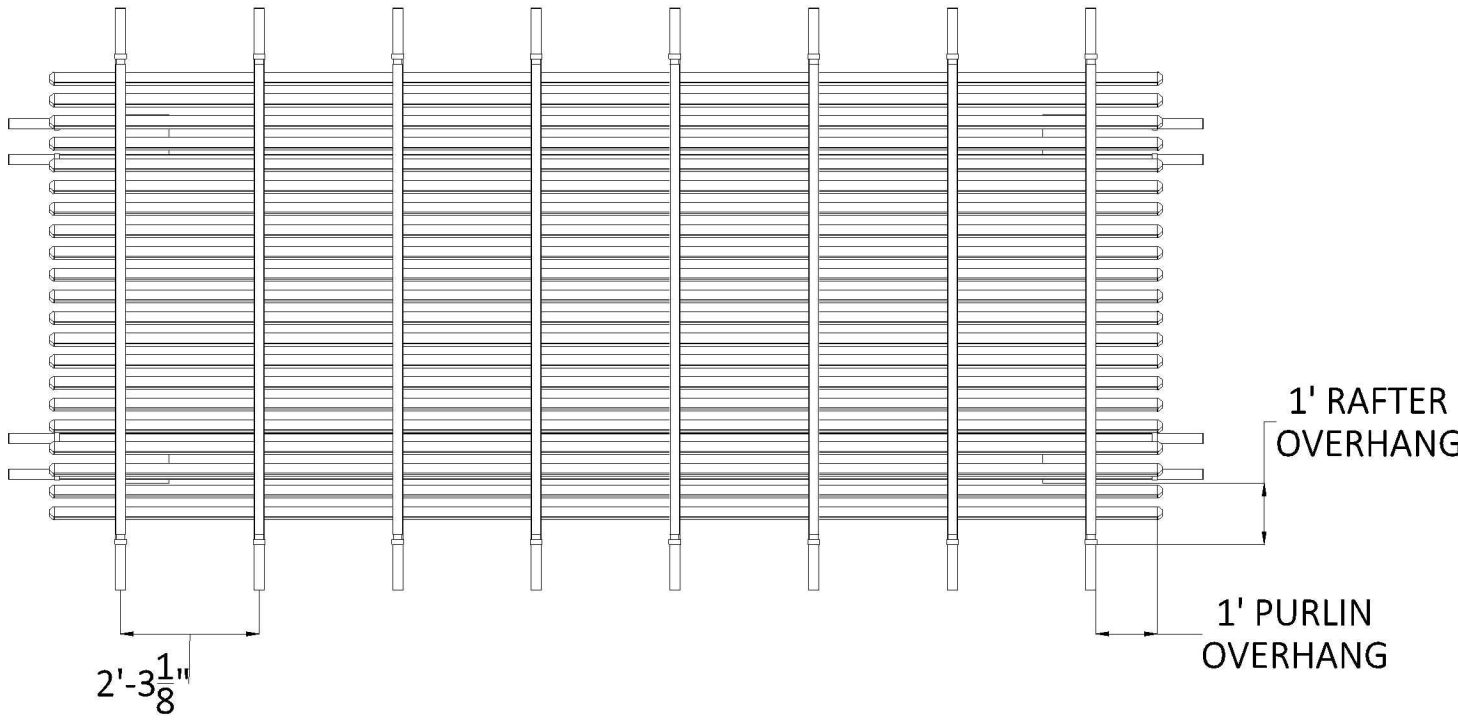
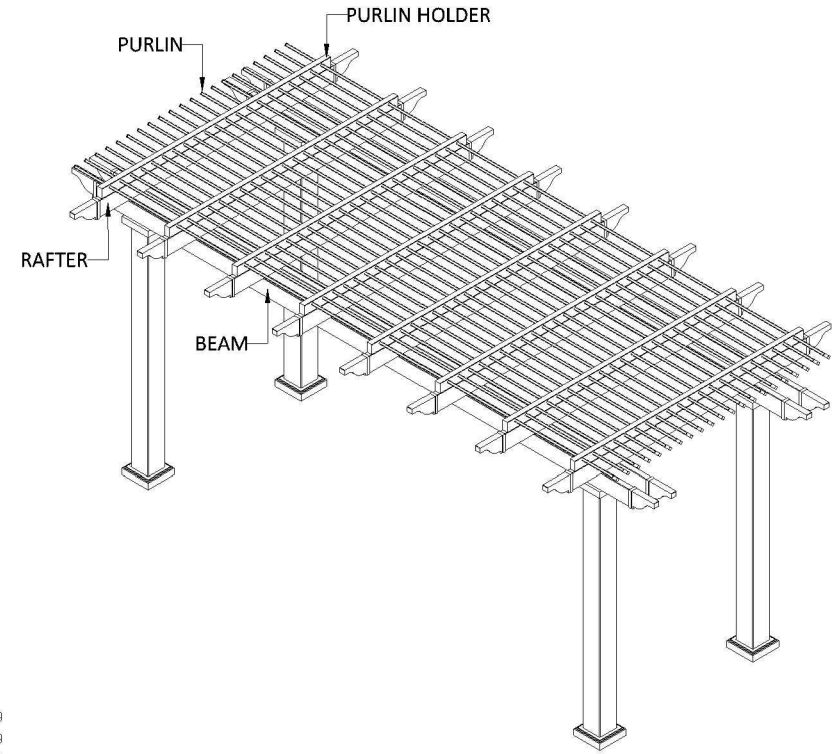
# SIDE ELEVATION



POST ON CENTER MEASUREMENT

| POST STYLE                      | INCHES |
|---------------------------------|--------|
| 5" Square Post (7" base)        | 67     |
| 7" Square Column (10 1/2" base) | 61 1/2 |
| 7" Round Column (10 1/2" base)  | 61 1/2 |
| 10" Round Column (12 1/4" base) | 59 3/4 |

# PLAN VIEW



### KIT COMPONENTS

| DESCRIPTION                             | QUANTITY |
|---|----------|
| Your Selected Post with Aluminum Insert | 4        |
| 2 X 6 Beam with Aluminum Insert         | 4        |
| 2 X 6 Rafter with Aluminum Insert       | 8        |
| 2 X 6 Pergola Cap                       | 24       |
| 2 X 3 $\frac{1}{2}$ Purlin Holder       | 8        |
| 2 X 3 $\frac{1}{2}$ Flat Cap            | 16       |
| $\frac{7}{8}$ X 3 Purlin (75% Shade)    | 22       |
| $\frac{7}{8}$ X 3 Purlin Cap            | 44       |