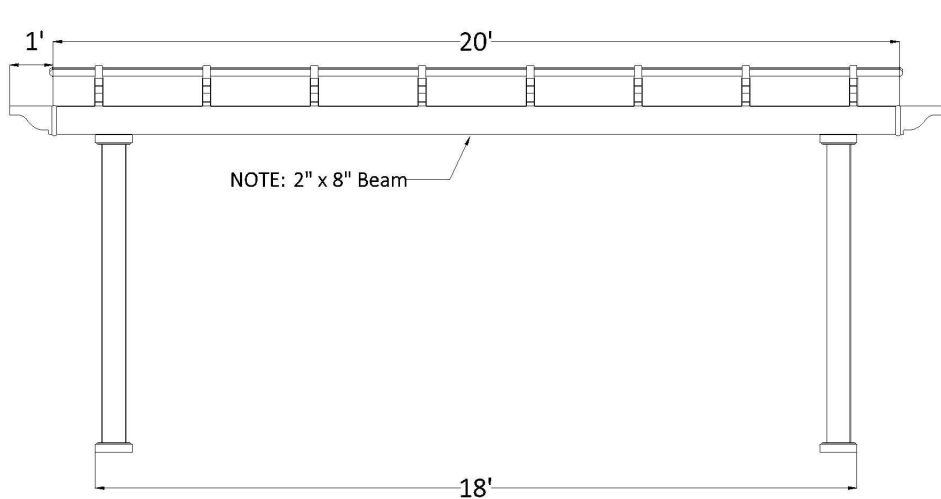
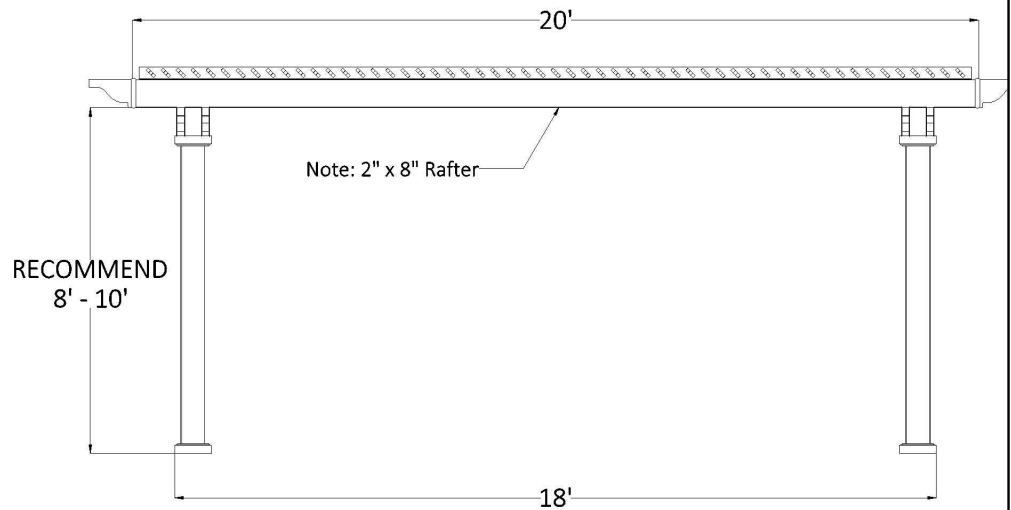


FRONT ELEVATION



SIDE ELEVATION



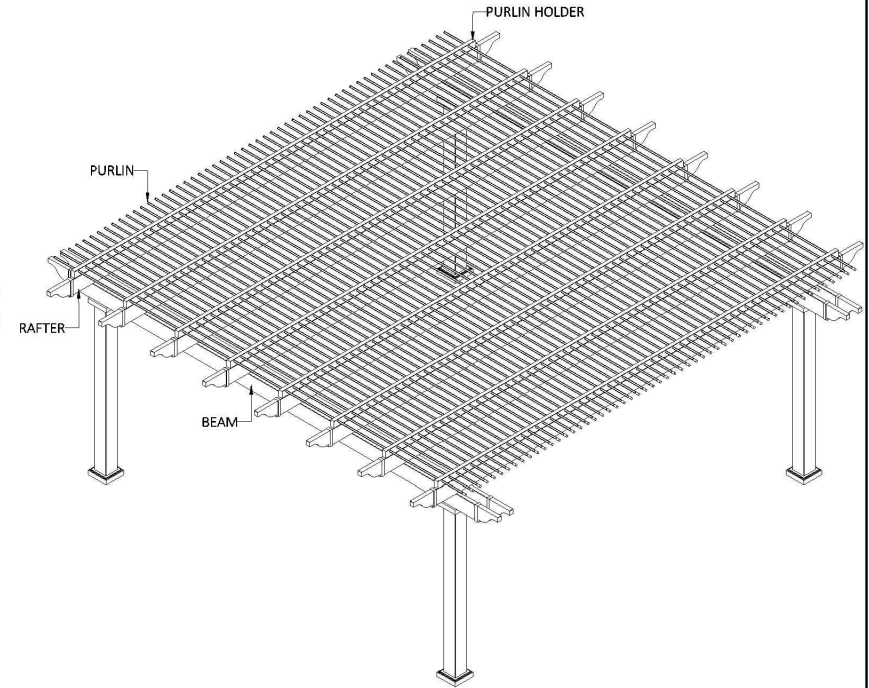
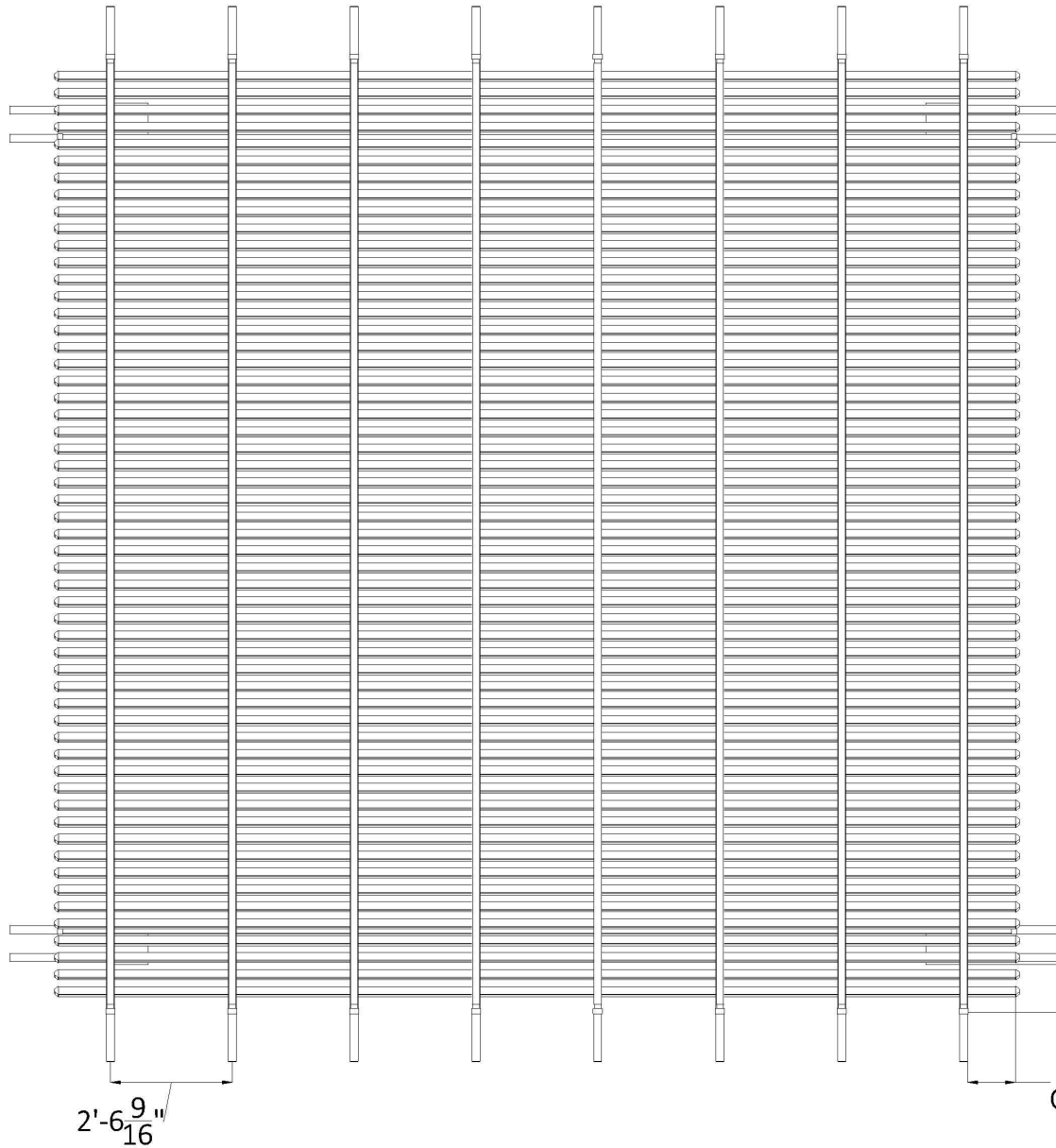
POST ON CENTER MEASUREMENT

POST STYLE	INCHES
5" Square Post (7" base)	211
7" Square Column (10 1/2" base)	205 1/2
7" Round Column (10 1/2" base)	205 1/2
10" Round Column (12 1/4" base)	203 3/4

POST ON CENTER MEASUREMENT

POST STYLE	INCHES
5" Square Post (7" base)	211
7" Square Column (10 1/2" base)	205 1/2
7" Round Column (10 1/2" base)	205 1/2
10" Round Column (12 1/4" base)	203 3/4

PLAN VIEW



1' RAFTER
OVERHANG

1' PURLIN
OVERHANG

STRUCTURAL COMPONENTS

DESCRIPTION	QTY.
Your Selected Post with Aluminum Insert	4
2 X 8 Beam with Aluminum Insert	4
2 X 8 Rafter with Aluminum Insert	8
2 X 8 Pergola Cap	24
2 X 3 1/2 Purlin Holder	8
2 X 3 1/2 Flat Cap	16
7/8 X 3 Purlin (75% Shade)	58
7/8 X 3 Purlin Cap	116