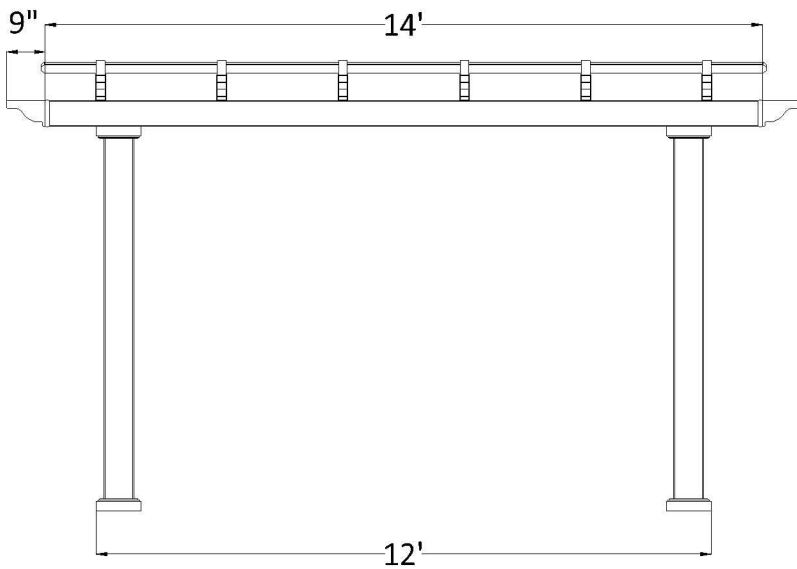


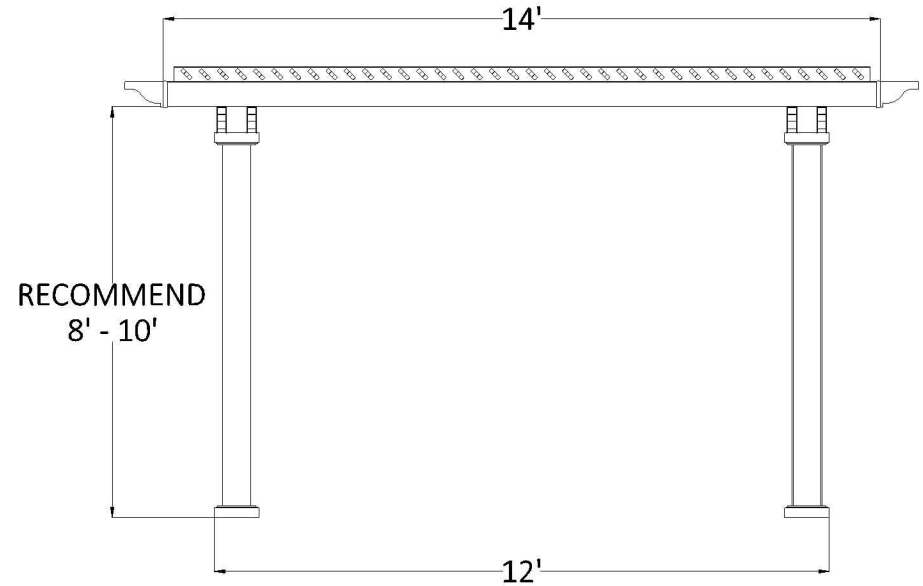
FRONT ELEVATION



POST ON CENTER MEASUREMENT

| POST STYLE | INCHES |
|---------------------------------|---------|
| 5" Square Post (7" base) | 139 |
| 7" Square Column (10 1/2" base) | 133 1/2 |
| 7" Round Column (10 1/2" base) | 133 1/2 |
| 10" Round Column (12 1/4" base) | 131 3/4 |

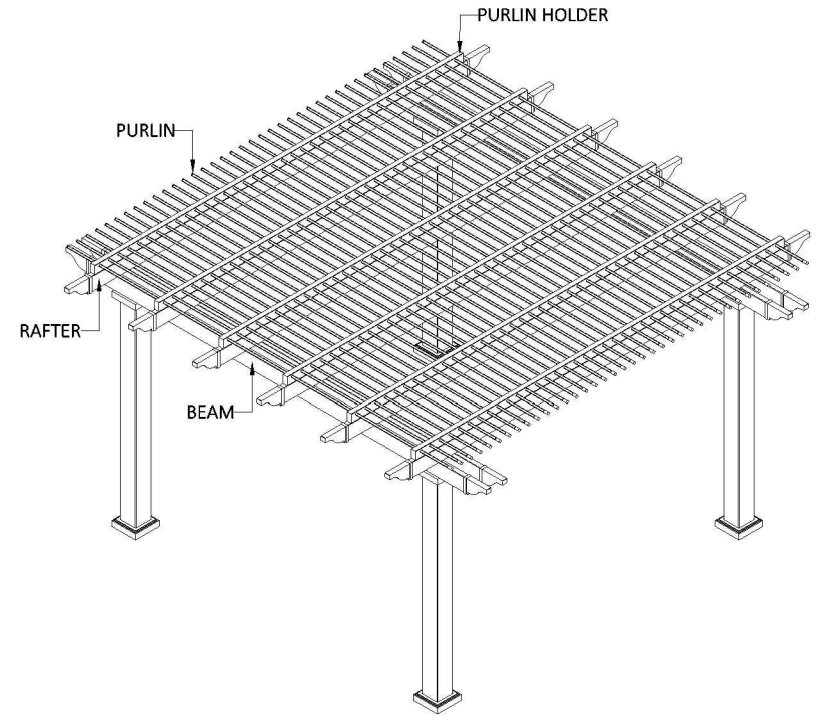
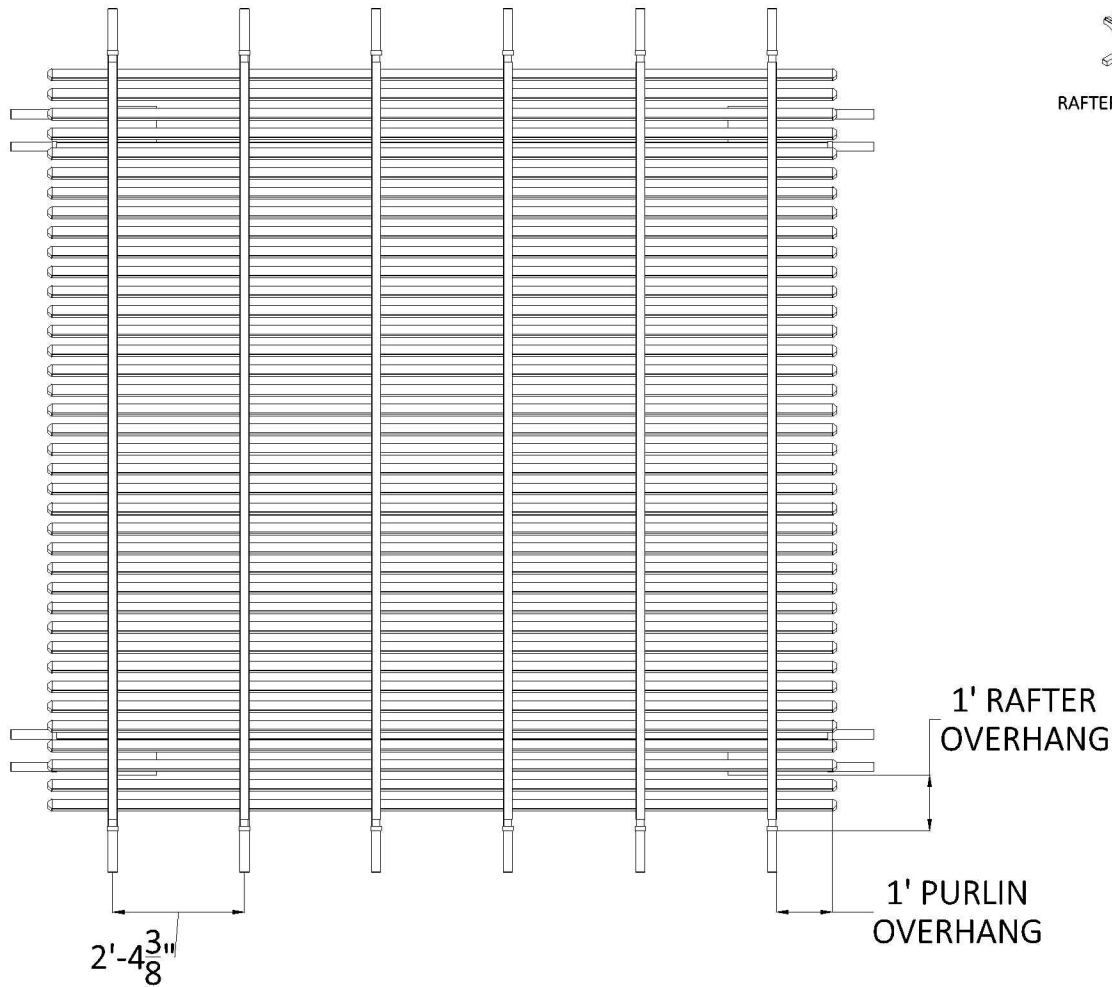
SIDE ELEVATION



POST ON CENTER MEASUREMENT

| POST STYLE | INCHES |
|---------------------------------|---------|
| 5" Square Post (7" base) | 139 |
| 7" Square Column (10 1/2" base) | 133 1/2 |
| 7" Round Column (10 1/2" base) | 133 1/2 |
| 10" Round Column (12 1/4" base) | 131 3/4 |

PLAN VIEW



KIT COMPONENTS

| DESCRIPTION | QUANTITY |
|---|----------|
| Your Selected Post with Aluminum Insert | 4 |
| 2 X 6 Beam with Aluminum Insert | 4 |
| 2 X 6 Rafter with Aluminum Insert | 6 |
| 2 X 6 Pergola Cap | 20 |
| 2 X 3 $\frac{1}{2}$ Purlin Holder | 6 |
| 2 X 3 $\frac{1}{2}$ Flat Cap | 12 |
| $\frac{7}{8}$ X 3 Purlin (75% Shade) | 40 |
| $\frac{7}{8}$ X 3 Purlin Cap | 80 |