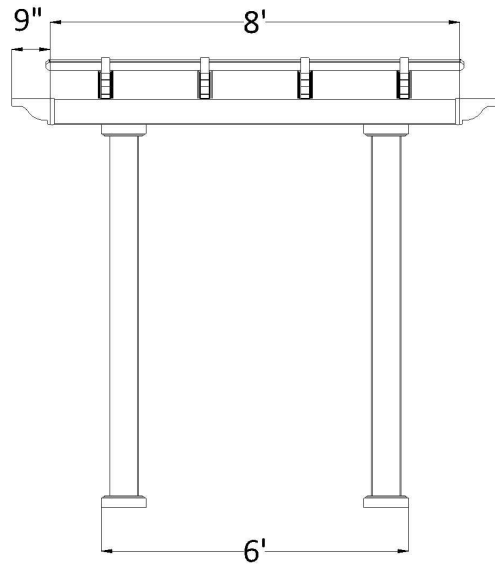


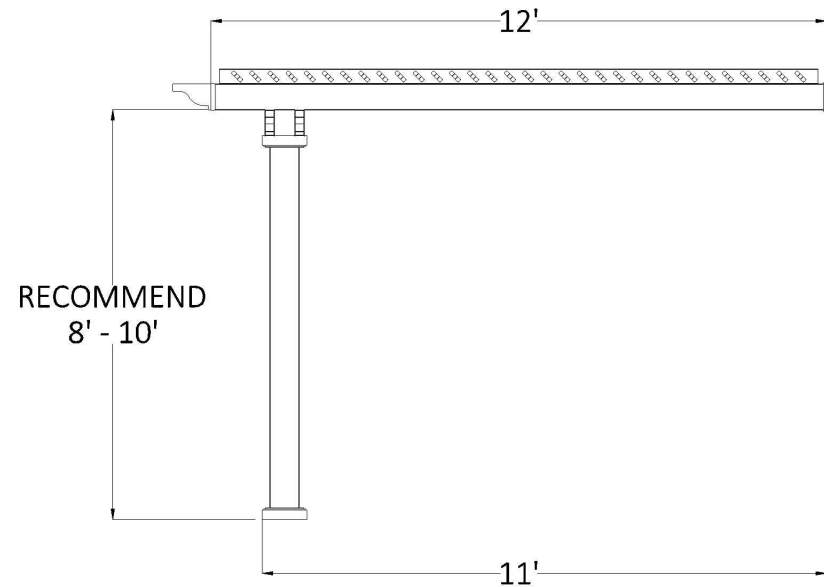
# FRONT ELEVATION



POST ON CENTER MEASUREMENT

POST STYLE	INCHES
5" Square Post (7" base)	67
7" Square Column (10 1/2" base)	61 1/2
7" Round Column (10 1/2" base)	61 1/2
10" Round Column (12 1/4" base)	59 3/4

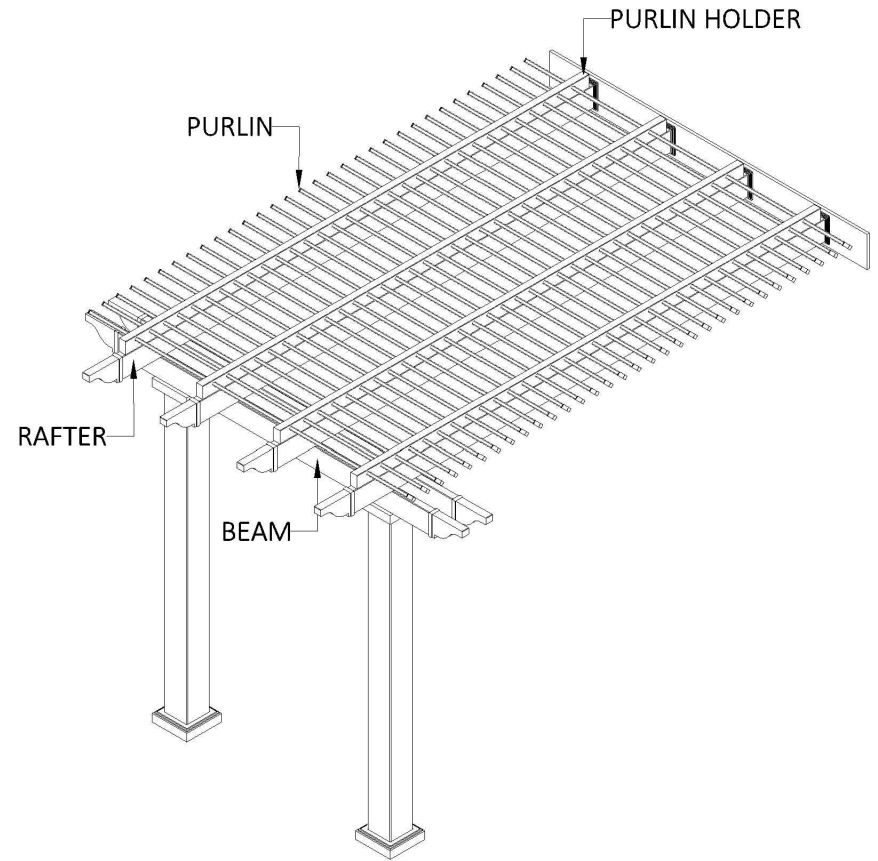
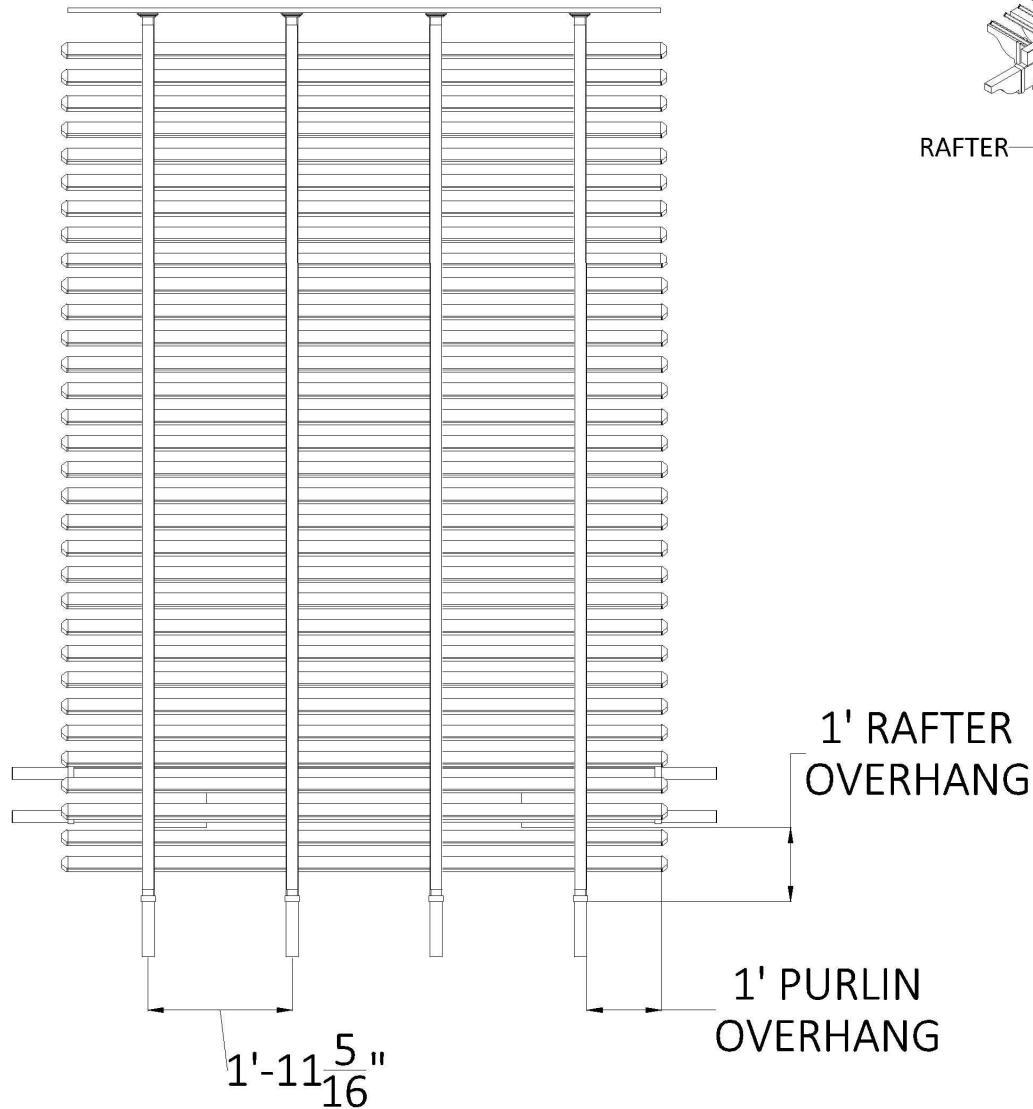
# SIDE ELEVATION



CENTER OF POST TO FACE OF LEDGER MEASUREMENT

POST STYLE	INCHES
5" Square Post (7" base)	129 1/2
7" Square Column (10 1/2" base)	126 3/4
7" Round Column (10 1/2" base)	126 3/4
10" Round Column (12 1/4" base)	125 7/8

# PLAN VIEW



### KIT COMPONENTS

DESCRIPTION	QUANTITY
Your Selected Post with Aluminum Insert	2
2 X 6 Beam with Aluminum Insert	2
2 X 6 Rafter with Aluminum Insert	4
2 X 6 Pergola Cap	8
2 X 3 <sup>1</sup> / <sub>2</sub> Purlin Holder	4
2 X 3 <sup>1</sup> / <sub>2</sub> Flat Cap	8
<sup>7</sup> / <sub>8</sub> X 3 Purlin (75% Shade)	34
<sup>7</sup> / <sub>8</sub> X 3 Purlin Cap	68
PVC Ledger Plate	1

12' x 8' ATTACHED PERGOLA

Heartlandpergolas.com

563-345-6745

