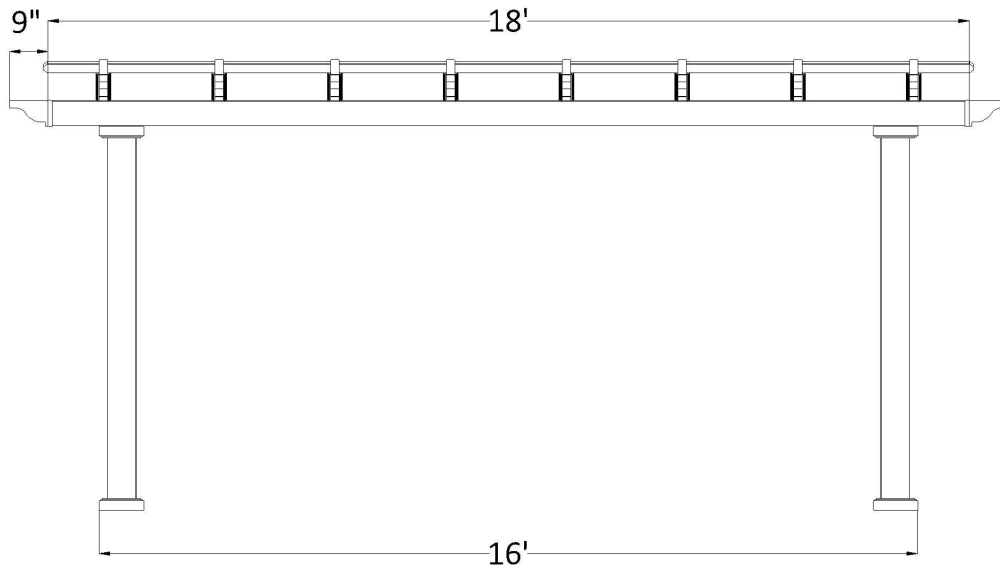


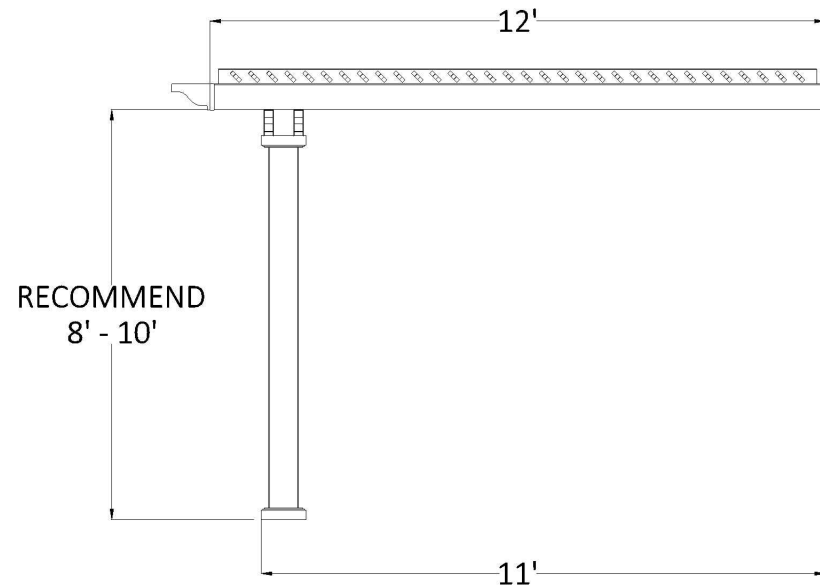
# FRONT ELEVATION



POST ON CENTER MEASUREMENT

POST STYLE	INCHES
5" Square Post (7" base)	187
7" Square Column (10 1/2" base)	181 1/2
7" Round Column (10 1/2" base)	181 1/2
10" Round Column (12 1/4" base)	179 3/4

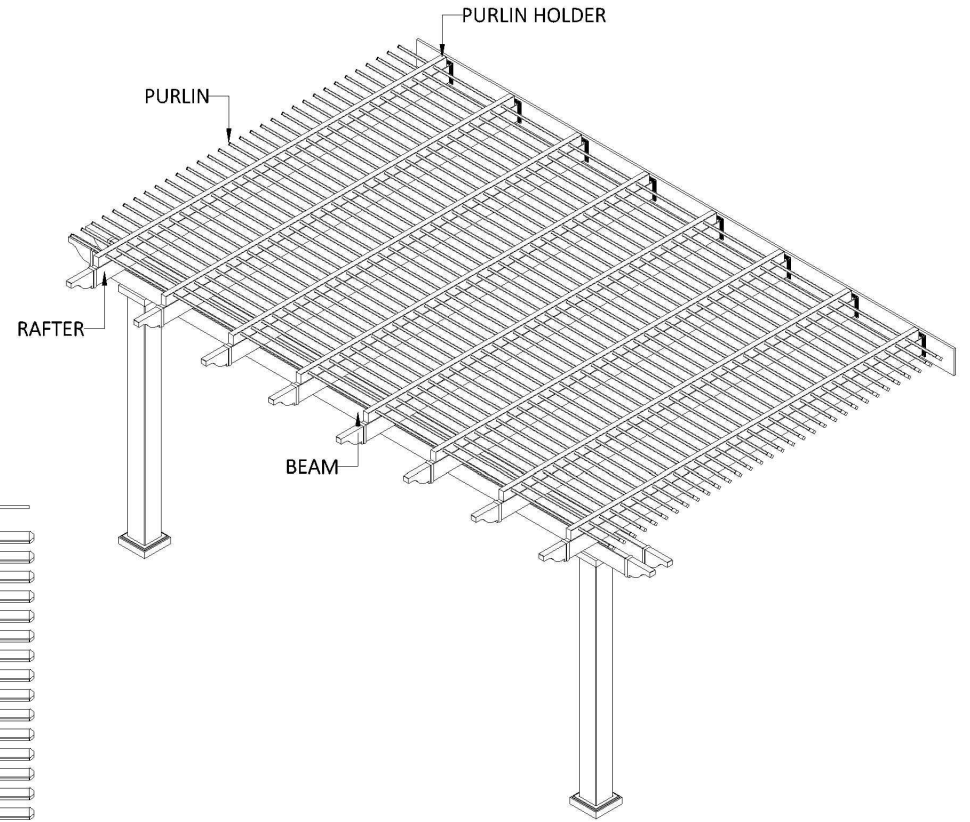
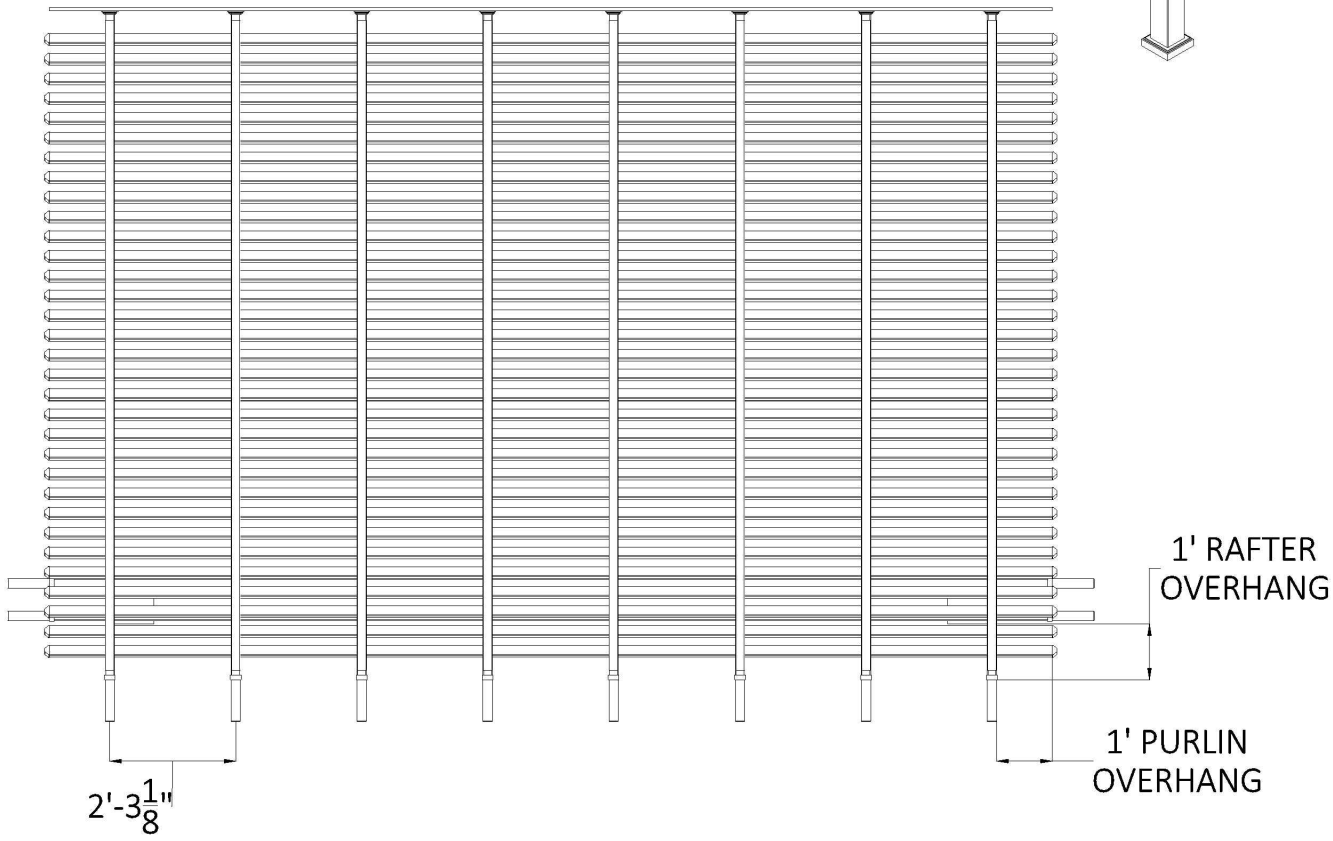
# SIDE ELEVATION



CENTER OF POST TO FACE OF LEDGER MEASUREMENT

POST STYLE	INCHES
5" Square Post (7" base)	129 1/2
7" Square Column (10 1/2" base)	126 3/4
7" Round Column (10 1/2" base)	126 3/4
10" Round Column (12 1/4" base)	125 7/8

# PLAN VIEW



## KIT COMPONENTS

DESCRIPTION	QUANTITY
Your Selected Post with Aluminum Insert	2
2 X 6 Beam with Aluminum Insert	2
2 X 6 Rafter with Aluminum Insert	8
2 X 6 Pergola Cap	12
2 X 3 $\frac{1}{2}$ Purlin Holder	8
2 X 3 $\frac{1}{2}$ Flat Cap	16
$\frac{7}{8}$ X 3 Purlin (75% Shade)	34
$\frac{7}{8}$ X 3 Purlin Cap	68
PVC Ledger Plate	1

12' x 18' ATTACHED PERGOLA

Heartlandpergolas.com

563-345-6745

**Heartland**  
Pergolas