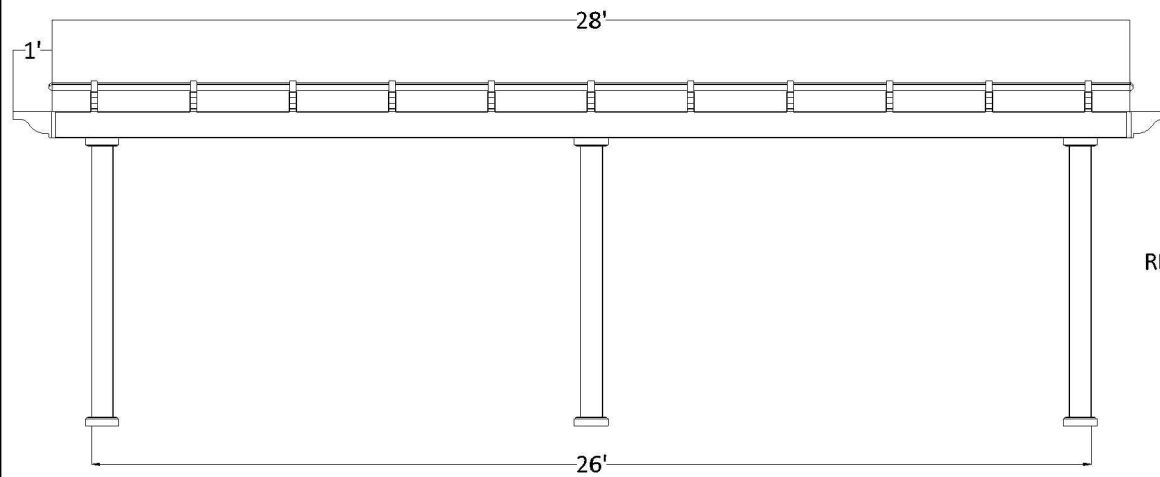
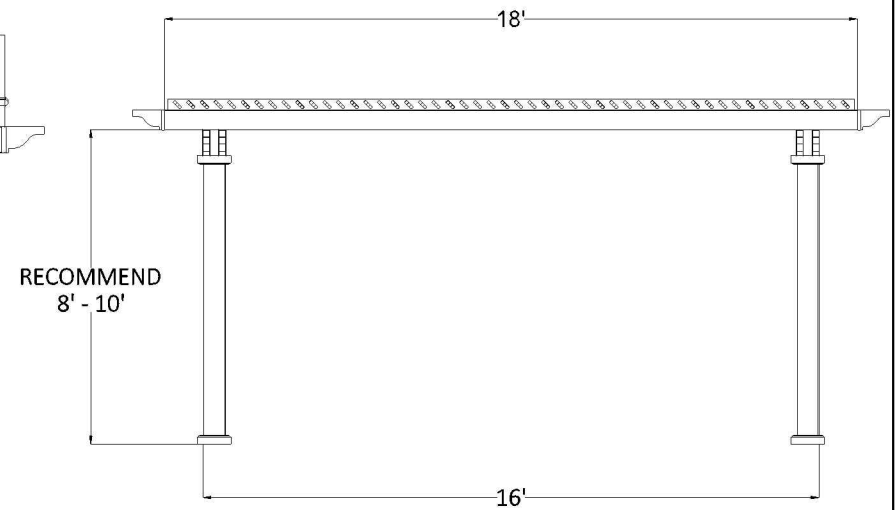


# FRONT ELEVATION



# SIDE ELEVATION



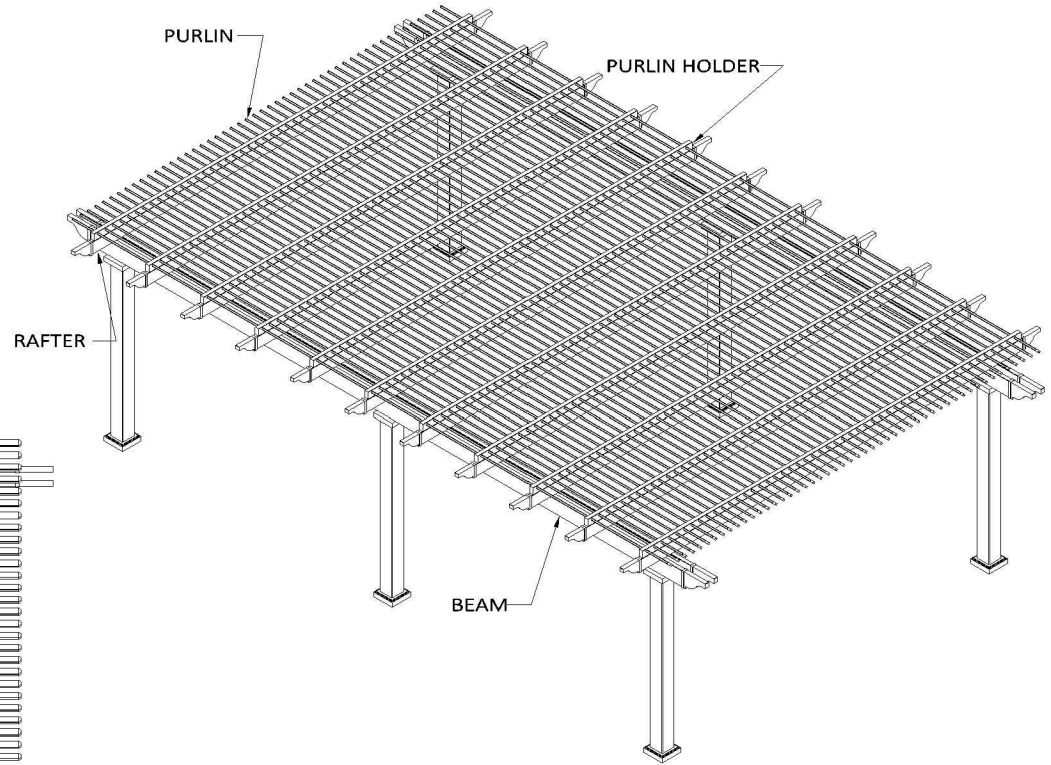
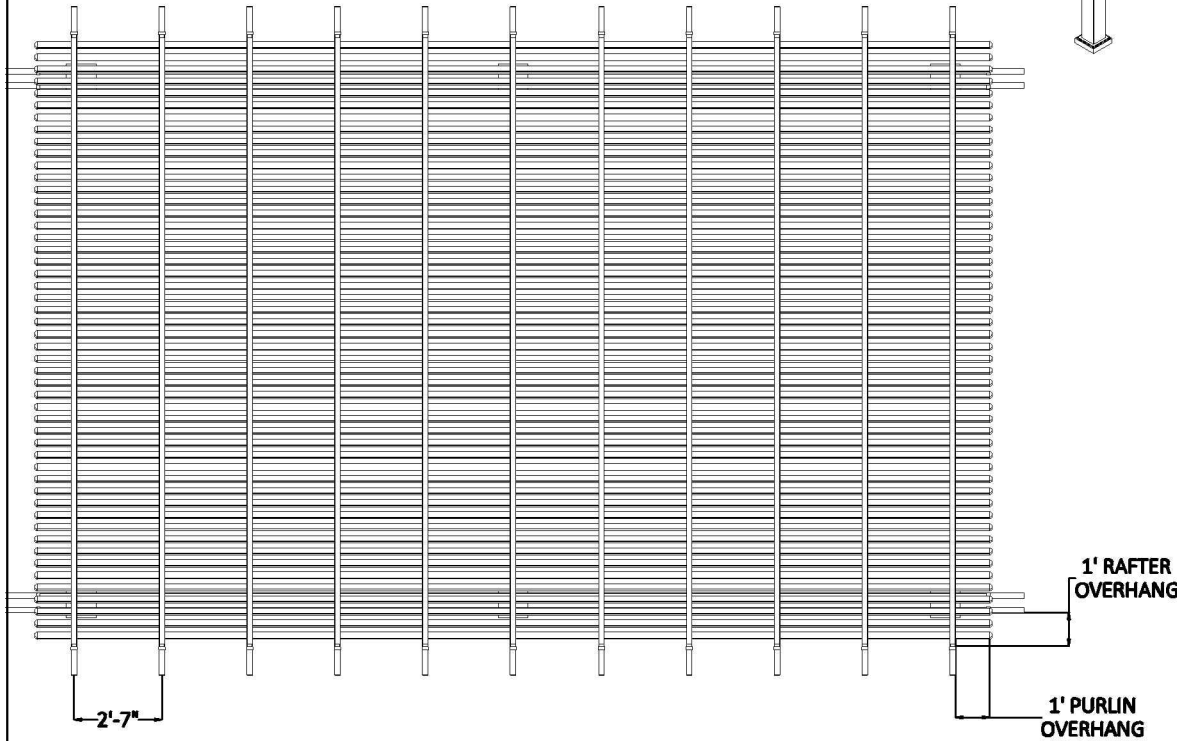
## Post On Center Measurement

5" Square Post	307"
7" Square Column	301 1/2"
7" Round Column	301 1/2"
10" Round Column	299 3/4"

## Post On Center Measurement

5" Square Post	187"
7" Square Column	181 1/2"
7" Round Column	181 1/2"
10" Round Column	179 3/4"

# PLAN VIEW



## STRUCTURAL COMPONENTS

DESCRIPTION	QTY.
7" COLUMN ASSEMBLY W POST MOUNT	6
2 X 6 BEAM WITH ALUMINUM INSERT	8
2 X 6 RAFTER WITH ALUMINUM INSERT	11
PERGOLA CAP	30
2 X 3 1/2 PURLIN HOLDER	11
2 X 3 1/2 FLAT CAP	22
7/8 X 3 PURLIN (STD SPACING)	50
7/8 X 3 PURLIN CAP	100