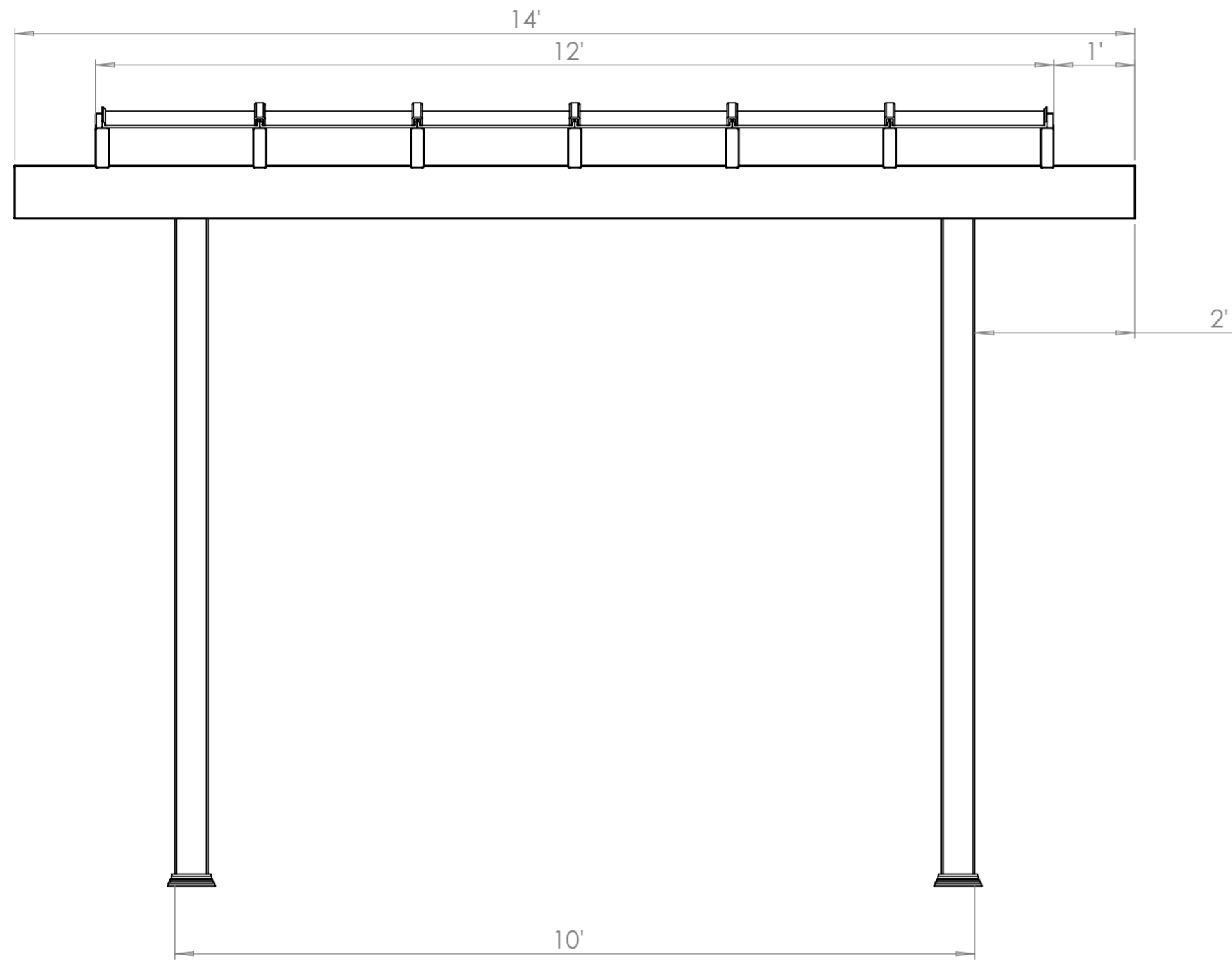
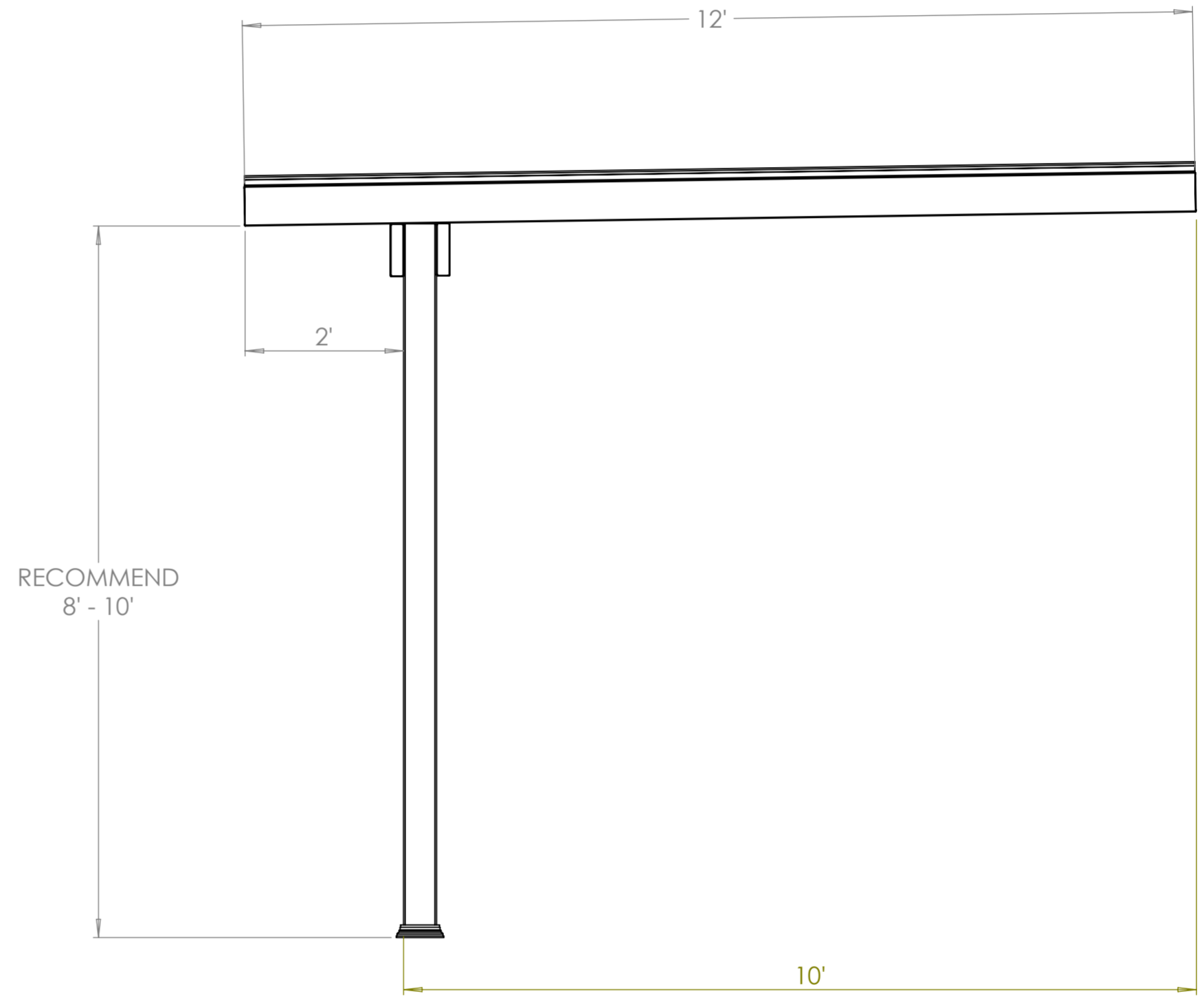


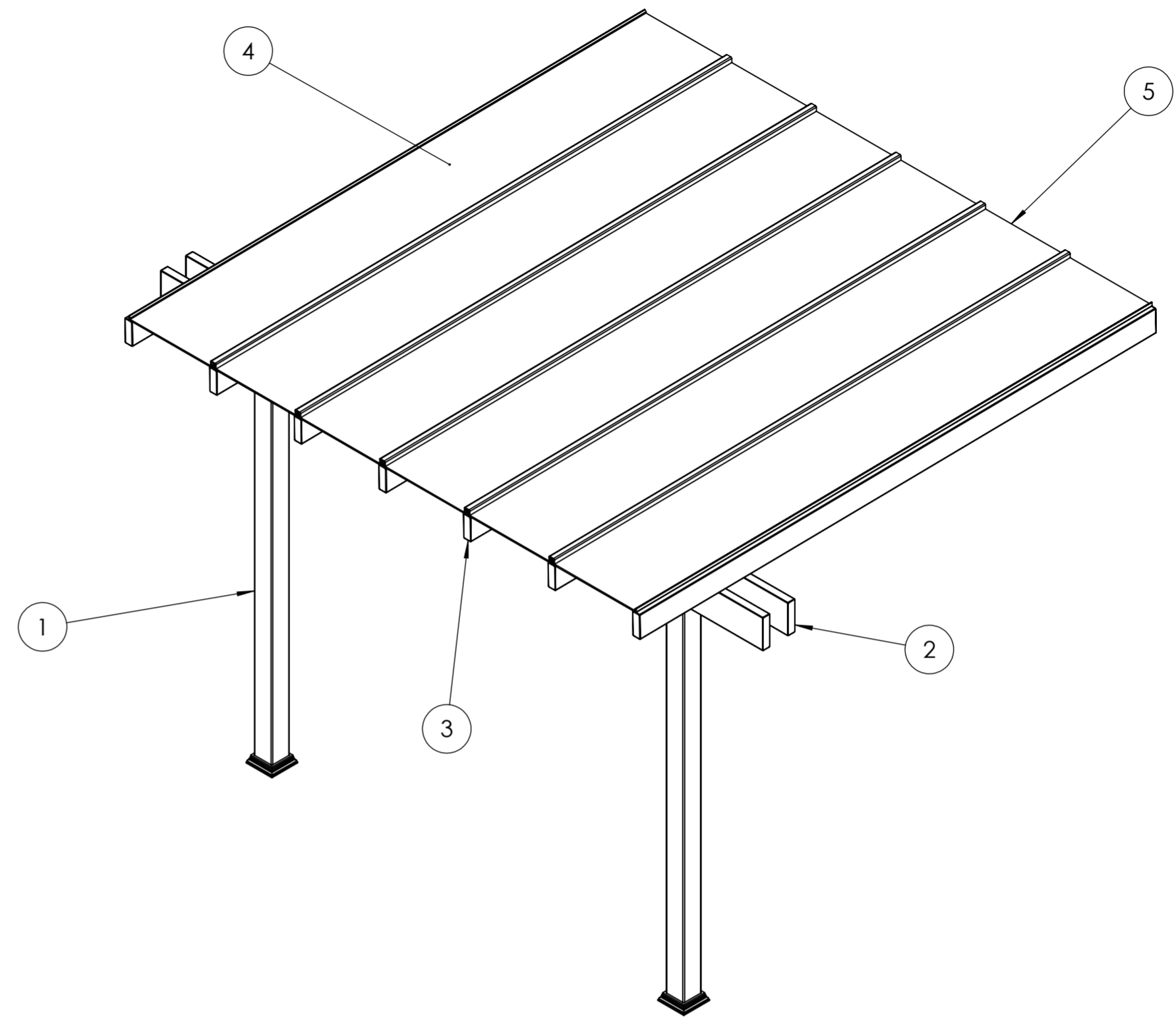
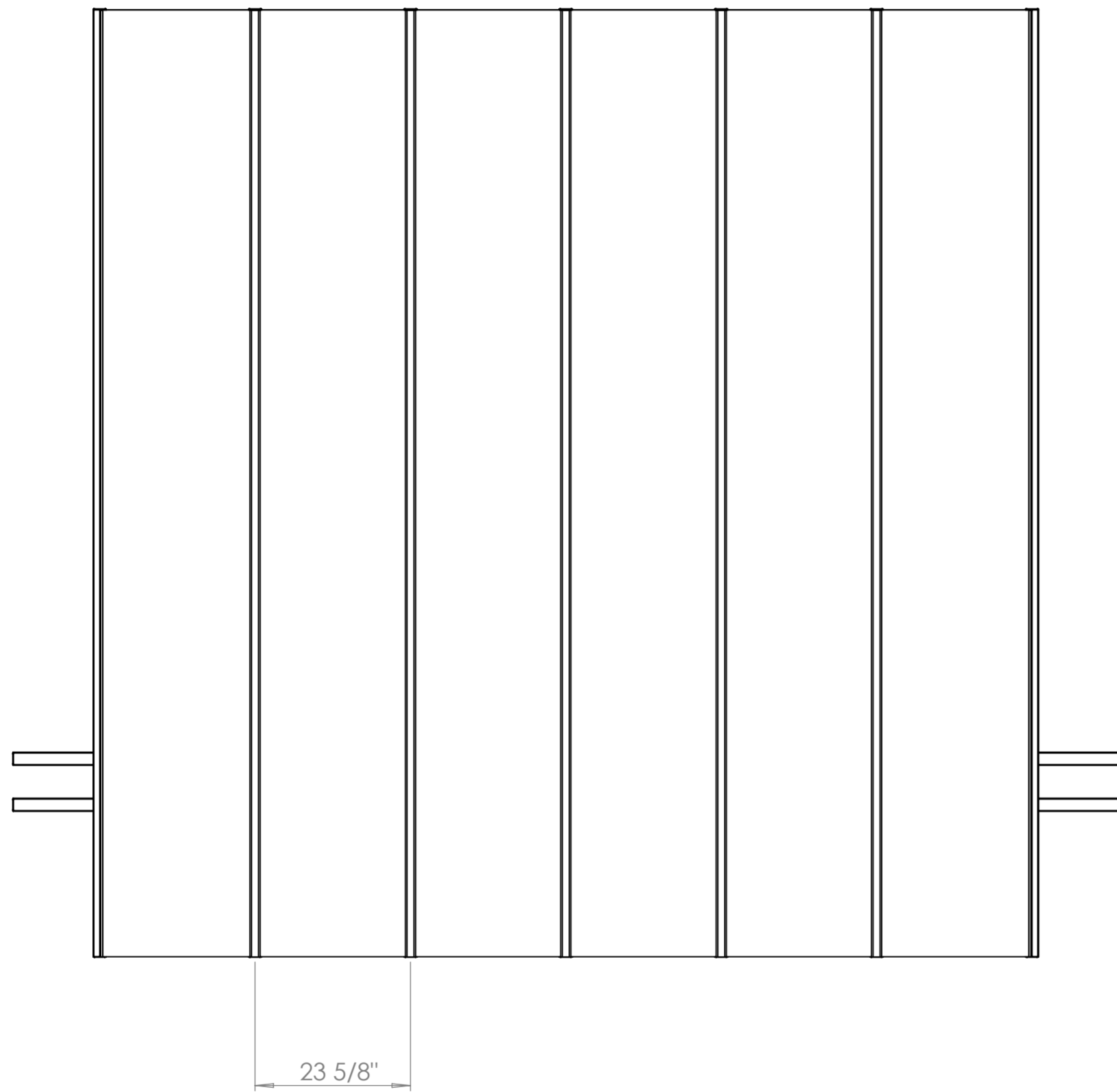
FRONT ELEVATION



SIDE ELEVATION



PLAN VIEW



KIT COMPONENTS		
ITEM NO.	PART DESCRIPTION	QTY.
1	Your Selected Post with Aluminum Insert	2
2	2x8 Vinyl Beam with Aluminum Insert	2
3	2x6 Vinyl Rafter with Aluminum Insert	7
4	ArcoPlus 689 Polycarbonate Sheet	6
5	Azek Cellular PVC Ledger	1

